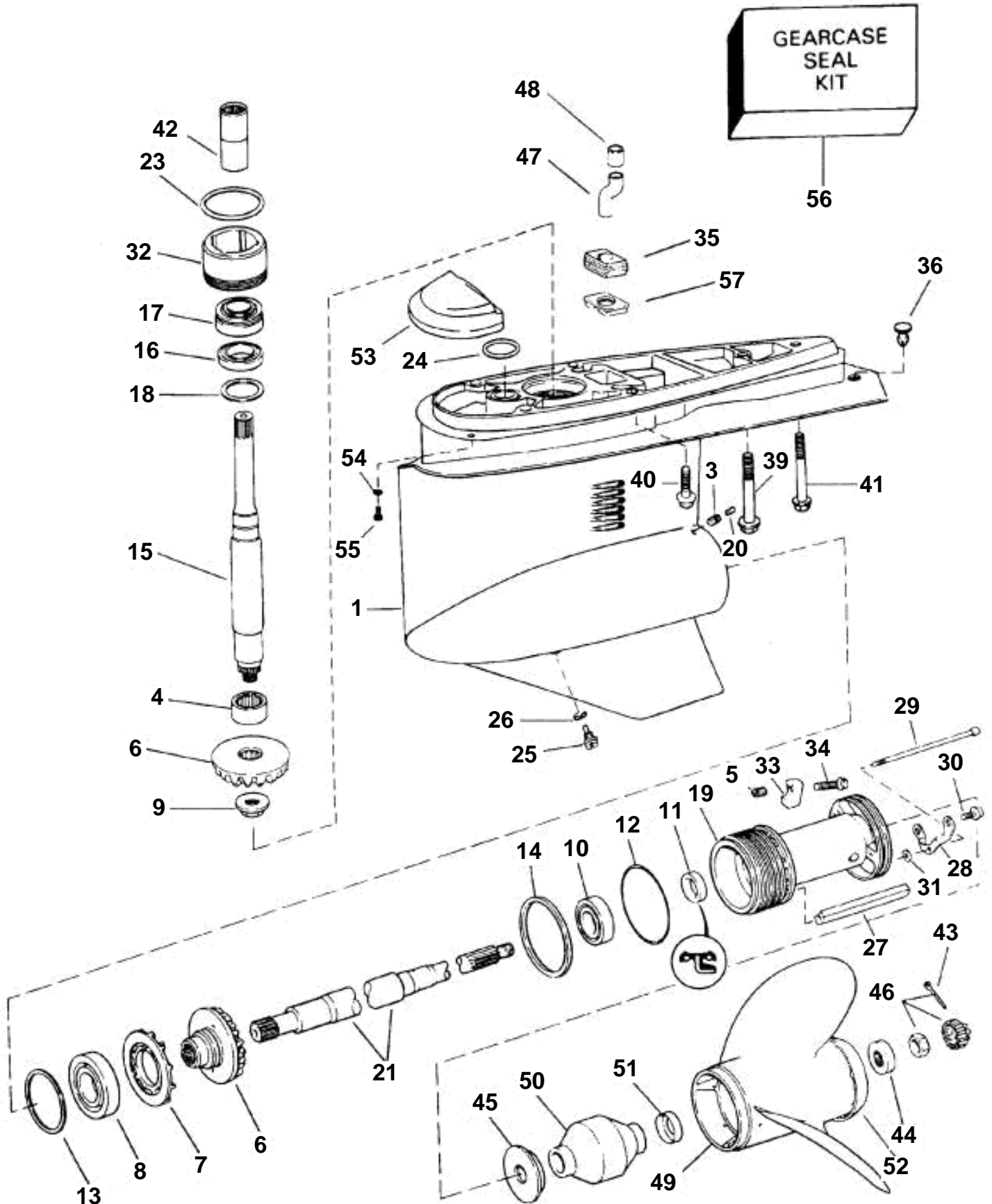


SX-LOWER GEAR UNIT



SX-LOWER GEAR UNIT

REF	PART NO.	QTY	DESCRIPTION	SEE SEC.	NOTES
	3855084	1	Drive unit, 1.66:1 (5.0FL, Fi)		
	3855215	1	Drive unit, 1.51:1 (5.8FL, Fi)		
	3855236	1	Drive unit, 1.43:1 (FSi)		
1	3854385	1	• Gear housing		
3	3852567	1	• • Thread insert, 5/16 -18, short		
4	3853934	1	• • Roller bearing, Pinion		
5	3852515	1	• • Thread insert, Prop shaft retainer, 3/8 - 16		
6	3852404	1	• Gear set, 1.66:1 (5.0FL, Fi)		
	3852402	1	• Gear set, 1.51:1 (5.8FL, Fi)		
	3854814	1	• Gear set, 1.43:1 (FSi)		
7	3853941	1	• Pump rotor		
8	3850942	1	• Bearing, Gear to gear case		
9	3851003	1	• Nut, Pinion to drive shaft		
10	3854240	1	• Screw, Prop shaft housing		
11	3853474	1	• Seal, Prop shaft housing		Contents of Lower Gearcase Seal Kit
12	3852865	1	• O-ring, Propeller shaft hsg		Contents of Lower Gearcase Seal Kit
13	3850695	X	• Adjusting washer, Gear position, 0.002 in		
	3852886	X	• Shim, Gear position, 0.003 in		
	3852885	X	• Shim, Gear position, 0.004 in		
	3852887	X	• Shim, Gear position, 0.005 in		
	3852888	X	• Shim, Gear position, 0.010 in		
14	3852881	X	• Adjusting washer, Shim, prop shaft hsg., 0.096 in		
	3852882	X	• Adjusting washer, Shim, prop shaft hsg., 0.098 in		
	3852868	X	• Adjusting washer, Shim, prop shaft hsg., 0.100 in		
	3852869	X	• Adjusting washer, Shim, prop shaft hsg., 0.102 in		
	3852870	X	• Adjusting washer, Shim, prop shaft hsg., 0.104 in		
	3852871	X	• Adjusting washer, Shim, prop shaft hsg., 0.106 in		
	3852872	X	• Adjusting washer, Shim, prop shaft hsg., 0.108 in		
	3852873	X	• Adjusting washer, Shim, prop shaft hsg., 0.110 in		
	3852874	X	• Adjusting washer, Shim, prop shaft hsg., 0.112 in		
	3852875	X	• Adjusting washer, Shim, prop shaft hsg., 0.114 in		
	3852876	X	• Adjusting washer, Shim, prop shaft hsg., 0.116 in		
	3852877	X	• Adjusting washer, Shim, prop shaft hsg., 0.118 in		
	3852878	X	• Adjusting washer, Shim, prop shaft hsg., 0.120 in		
	3852879	X	• Adjusting washer, Shim, prop shaft hsg., 0.122 in		
	3852880	X	• Adjusting washer, Shim, prop shaft hsg., 0.124 in		
15	3851342	1	• Countershaft, Lower		
16	3854249	1	• Bearing, Driveshaft, lower		
17	3854250	1	• Bearing, Driveshaft, upper		
18	3852880	X	• Adjusting washer, Pinion position, 0.003 in		
	3852890	X	• Shim, Pinion position, 0.004 in		
	3852891	X	• Shim, Pinion position, 0.005 in		
	3852892	X	• Shim, Pinion position, 0.010 in		
19	3853492	1	• Housing, Propeller shaft		
20	3853272	1	• Screw, Prop shaft housing		
21	3852271	1	• Driveshaft		
23	3852866	1	• O-ring, Support housing		Contents of Lower Gearcase Seal Kit
24	3852959	1	• O-ring, Oil passage		
25	3854539	1	• Plug, Gearcase plug		

7797017 - - 0-0033

GR999932

Upd: 21 MAR 2006

HU 5.0 FL, 5.8 FL; 5.0 Fi, 5.8 Fi; 5.8 Fsi

**VOLVO
PENTA**

SX-LOWER GEAR UNIT

REF	PART NO.	QTY	DESCRIPTION	SEE SEC.	NOTES
26	3855081	1	· · O-ring, Gearcase plug		Contents of Lower Gearcase Seal Kit
27	3852970	1	· Anode, Prop shaft housing		
28	3852971	1	· Retainer, Anode		
29	3852972	1	· Screw, Anode		
30	3853309	2	· Screw, Anode retainer		
31	3852973	1	· Washer, Anode		
32	3855636	1	· Retainer, Driveshaft		
33	3853371	1	· Retainer, Prop shaft housing		
34	3852478	1	· Screw, Prop shaft retainer		
35	3854601	1	· Retainer, Seal, water tube		Contents of Lower Gearcase Seal Kit
36	3850662	1	Plug, Trim tab hole		
39	3854806	1	Screw, Lower to upper housing		
40	3854807	4	Screw, Lower to upper housing		
41	3854805	1	Screw, Lower to upper housing		
42	3852268	1	Splined sleeve, Intermediate		
43	3852056	1	Pin, Propeller		
44	3852350	1	Spacer, Propeller nut		
45	3852020	1	Bushing		
46	3850984	1	Propeller nut, Propeller		
47	3854795	1	Tube, Water supply		
48	3852315	1	Seal, Water supply tube		Contents of Lower Gearcase Seal Kit
49	3850315	1	Propeller, 15 x 15		Left hand rotation. Stainless steel
	3850316	1	Propeller, 15 x 17		Left hand rotation. Stainless steel
			Bulletin 56-11	56-11-EN	Replacement of SX Propellers
49	3850317	1	Propeller, 14 1/2 x 19		Left hand rotation. Stainless steel
			Bulletin 56-11	56-11-EN	Replacement of SX Propellers
49	3850318	1	Propeller, 14 1/4 x 21		Left hand rotation. Stainless steel
			Bulletin 56-11	56-11-EN	Replacement of SX Propellers
49	3850319	1	Propeller, 14 1/4 x 23		Left hand rotation. Stainless steel
			Bulletin 56-11	56-11-EN	Replacement of SX Propellers
49	3850320	1	Propeller, 15 x 17		Left hand rotation. Polished stainless steel
			Bulletin 56-11	56-11-EN	Replacement of SX Propellers
49	3850321	1	Propeller, 14 1/2 x 19		Left hand rotation. Polished stainless steel
			Bulletin 56-11	56-11-EN	Replacement of SX Propellers
49	3850322	1	Propeller, 14 1/4 x 21		Left hand rotation. Polished stainless steel
			Bulletin 56-11	56-11-EN	Replacement of SX Propellers
49	3850323	1	Propeller, 14 1/4 x 23		Left hand rotation. Polished stainless steel
			Bulletin 56-11	56-11-EN	Replacement of SX Propellers
49	3850304	1	Propeller, 15 1/2 x 14		Right-hand rotation. Stainless steel
	3850305	1	Propeller, 15 x 15		Right-hand rotation. Stainless steel
	3850306	1	Propeller, 15 x 16		Right-hand rotation. Stainless steel
	3850307	1	Propeller, 15 x 17		Right-hand rotation. Stainless steel
			Bulletin 56-11	56-11-EN	Replacement of SX Propellers
49	3850308	1	Propeller, 14 1/2 x 19		Right-hand rotation. Stainless steel
			Bulletin 56-11	56-11-EN	Replacement of SX Propellers
49	3850309	1	Propeller, 14 1/4 x 21		Right-hand rotation. Stainless steel
			Bulletin 56-11	56-11-EN	Replacement of SX Propellers
49	3850310	1	Propeller, 14 1/4 x 23		Right-hand rotation. Stainless steel
			Bulletin 56-11	56-11-EN	Replacement of SX Propellers
49	3850298	1	Propeller, 15 1/2 x 13		Right-hand rotation. Aluminum
	3850299	1	Propeller, 15 1/2 x 15		Right-hand rotation. Aluminum
	3850300	1	Propeller, 15 x 17		Right-hand rotation. Aluminum
	3850301	1	Propeller, 14 1/2 x 19		Right-hand rotation. Aluminum
	3850302	1	Propeller, 14 1/4 x 21		Right-hand rotation. Aluminum
	3850303	1	Propeller, 14 1/4 x 23		Right-hand rotation. Aluminum
	3850311	1	Propeller, 15 x 17		Right-hand rotation. Polished stainless steel
			Bulletin 56-11	56-11-EN	Replacement of SX Propellers
49	3850312	1	Propeller, 14 1/2 x 19		Right-hand rotation. Polished stainless steel
			Bulletin 56-11	56-11-EN	Replacement of SX Propellers
49	3850313	1	Propeller, 14 1/4 x 21		Right-hand rotation. Polished stainless steel
			Bulletin 56-11	56-11-EN	Replacement of SX Propellers

7797017 - - 0-0033

GR999932

Upd: 21 MAR 2006

HU 5.0 FL, 5.8 FL; 5.0 Fi, 5.8 Fi; 5.8 Fsi

VOLVO
PENTA

SX-LOWER GEAR UNIT

REF	PART NO.	QTY	DESCRIPTION	SEE SEC.	NOTES
49	3850314	1	Propeller, 14 1/4 x 23		Right-hand rotation. Polished stainless steel
			Bulletin 56-11	56-11-EN	Replacement of SX Propellers
50	3850324	1	· Propeller bushing, Propeller		Aluminum
	3850325	1	· Propeller bushing, Propeller		Stainless steel. Polished stainless steel
51	3850831	1	· Sleeve, Bushing		
52	3854241	1	· Ring, Converging		Aluminum
53	3855411	1	Zinc anod		
			Bulletin P-44-1-1	P-44-1-1-EN	Anodes, SX AND DP-S
53	3855412	1	Magnesium anode		
54	3852182	2	Lock washer, Anode		
55	3852186	2	Screw, Anode		
56	3850597	1	Sealing kit		
57	3854595	1	· Seal, Water supply tube to g'case		